

Linearizing Frequency Counter OC 7171A

- ✓ Measuring Range 0.003Hz to 500kHz
- ✓ Frequency Counter-Tachometer
- ✓ 105 Linearizing Points
- ✓ Free scalable Display
- ✓ Four Set Points Relays
- ✓ Two Analogue Outputs
- ✓ RS232 and RS485 addressable



Model OC7171A-LIN is a 6 digit Counter with programmable functions for Quadrature Counter, Up-Down Counter and Tachometer. The instrument is designed for industrial applications for connection to incremental resolvers, inductive and optical sensors and other electric signals.

For non-linear frequency sources a linearizing function can be activated. Up to 105 linearizing points can be selected.

SPECIFICATIONS OC7171A-LIN

DISPLAY

0...±999999, 7 segment LED red, 14.7 mm.

INPUTS

DC-500kHz, positive logic 5V protected to 48V.

PRESET

Additive constant (offset) is program-able from 0 to ±999999 with decimal point and sign. The preset can be inserted into the display with the keypad.

RESET

The display can be set to zero with the keypad or with the external positive signal 5 ... 48V.

ANALOGUE OUTPUT (Option)

Voltage: 0 ... ± 10V

Current: 0/4-20mA.

Resolution: 12bit.

Isolation: 250V rms.

The linearizing is in a table format and the points can be entered from the keypad or from a PC. The Soft manager Orbcom for Windows supports the entry.

With the keyboard the menu can be opened. The menu contains Scaling, Preset, Filter, Sampling Time, Reset Time, Password, Analogue Output, Serial Data Ports and Set Points. The Counter function can be set for Quadrature Counter, Up-Down Counter or Tachometer.

DATA OUTPUT (Option)

RS232 and RS485, 8 bit, no Parity, 1 Start, 1 Stop, 600-19200 bd, Addresses 00 - 31. Isolation 250V RMS.

SET POINTS (Option)

Four Set Points with programmable Hysteresis. Four Relays 5A-230VAC or open collectors 60V/100mA.

EXCITATION

5-24V/40mA adjustable.

Instruments with DC Supply can optionally have non isolated excitation adjustable.

SUPPLY

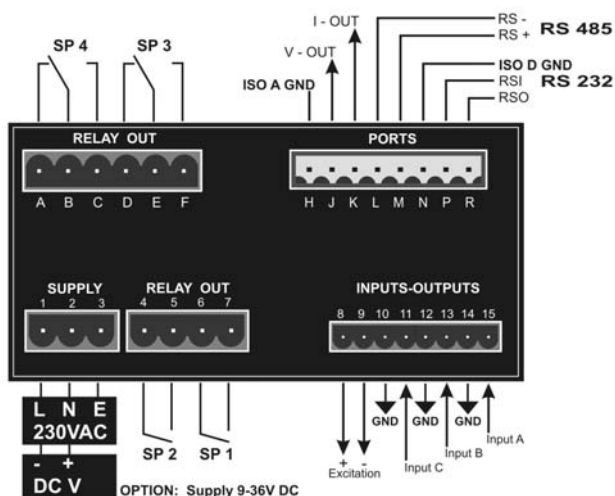
115/230V ±10%, 50-60Hz, 9VA.

Option: 9 - 36 V DC, 4 W.

CABINET IP65 FRONT

DIN 48x96X100mm (HxWxD).

Panel cut-out 45x90 mm. Pluggable screw terminals



STANDARD COUNTER

The standard counter contains 230VAC or 115VAC supply and adjustable excitation 5-24V.

OPTIONS

- * SP1, SP2 Set Point Relays
- * SP3, SP4 additional two Set Point Relays
- * Analogue Outputs 0/4-20mA and 0...±10V
- * Serial Data Ports RS232 and RS485
- * Supply 9-36VDC
- * Customized Software